



CALETTATORI AUTOCENTRANTI "BK 11" LOCKING ASSEMBLIES SELF-CENTERING "BK 11"

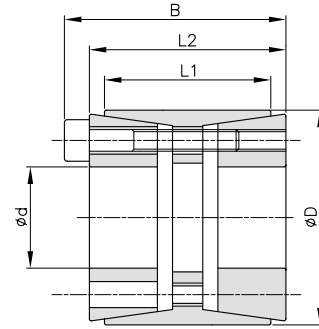
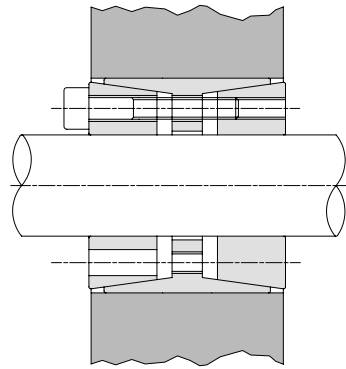
Autocentrante

Momenti torcenti molto elevati

Tolleranze: albero h8 - mozzo H8

Superfici di contatto con rugosità: R_a max 16 μ m

Errore di concentricità: $0,02 \pm 0,04$ mm



d x D mm	codice	L1 mm	L2 mm	B mm	momento torcente Mt Nm	forza assiale F ass. KN	pressione superficiale		viti di serraggio			Kg.
							albero pw N/mm ²	mozzo pn N/mm ²	DIN 912 12,9 N°	coppia di serraggio Ms Nm	tipo	
25 x 55	BK011025055	32	40	46	799	64	314	107	6	M6x35	17	0,50
28 x 55	BK011028055	32	40	46	895	64	281	107	6	M6x35	17	0,60
30 x 55	BK011030055	32	40	46	959	64	262	107	6	M6x35	17	0,42
35 x 60	BK011035060	44	54	60	1306	75	185	83	7	M6x45	17	0,70
38 x 75	BK011038075	44	54	62	2567	135	308	121	7	M8x50	41	0,70
40 x 75	BK011040075	44	54	62	2702	135	293	121	7	M8x50	41	1,04
42 x 75	BK011042075	44	54	62	2837	135	279	121	7	M8x50	41	1,00
45 x 75	BK011045075	44	54	62	3040	135	260	121	7	M8x50	41	0,90
48 x 80	BK011048080	56	64	72	3707	154	216	102	8	M8x55	41	1,40
50 x 80	BK011050080	56	64	72	3861	154	207	102	8	M8x55	41	1,30
55 x 85	BK011055085	56	64	72	4779	174	212	108	9	M8x55	41	1,34
60 x 90	BK011060090	56	64	72	5793	193	216	113	10	M8x55	41	1,60
65 x 95	BK011065095	56	64	72	6276	193	199	107	10	M8x55	41	1,80
70 x 110	BK011070110	70	78	88	10951	313	235	120	10	M10x60	83	3,00
75 x 115	BK011075115	70	78	88	11733	313	220	115	10	M10x60	83	3,30
80 x 120	BK011080120	70	78	88	13768	344	227	121	11	M10x60	83	3,50
85 x 125	BK011085125	70	78	88	15959	376	233	127	12	M10x60	83	3,70
90 x 130	BK011090130	70	78	88	16898	376	220	122	12	M10x60	83	3,80
95 x 135	BK011095135	70	78	88	17837	376	208	117	12	M10x60	83	5,00
100 x 145	BK011100145	90	100	112	25029	501	211	113	11	M12x80	145	6,00
110 x 155	BK011110155	90	100	112	30039	546	209	115	12	M12x80	145	6,20
120 x 165	BK011120165	90	100	112	38226	637	224	127	14	M12x80	145	7,20
130 x 180	BK011130180	104	116	130	48270	743	201	117	12	M14x90	230	10,00
140 x 190	BK011140190	104	116	130	60654	866	217	129	14	M14x90	230	10,20
150 x 200	BK011150200	104	116	130	69628	928	217	132	15	M14x90	230	10,80
160 x 210	BK011160210	104	116	130	79220	990	217	134	16	M14x90	230	11,50
170 x 225	BK011170225	134	148	164	100851	1186	206	116	14	M16x110	360	17,00
180 x 235	BK011180235	134	148	164	114414	1271	208	119	15	M16x110	360	17,05
190 x 250	BK011190250	134	148	164	128814	1356	210	119	16	M16x110	360	21,50
200 x 260	BK011200260	134	148	164	135594	1356	200	115	16	M16x110	360	22,00
220 x 285	BK011220285	134	148	164	167805	1526	204	118	18	M16x110	360	25,00