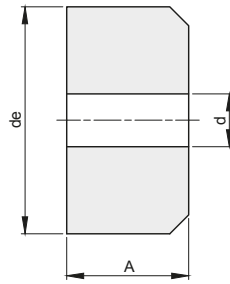




# MOZZI SALDABILI CON PREFORO WELDING HUBS WITH PILOT BORE

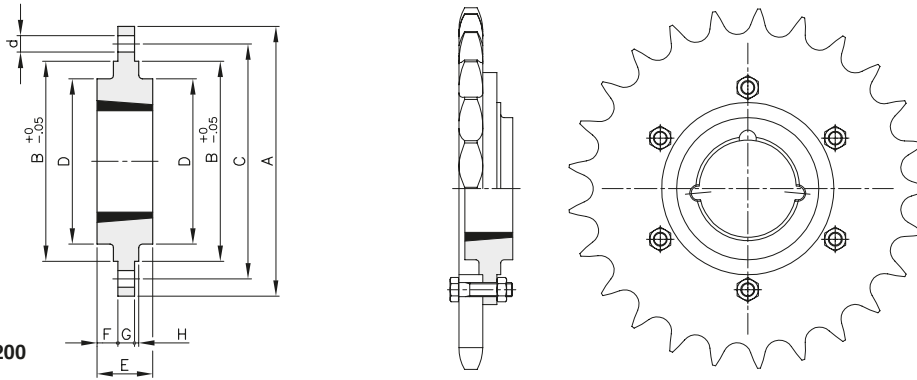


Materiale: Fe

| codice       | de  | A    | d  | Kg.  | codice       | de  | A    | d  | Kg.   |
|--------------|-----|------|----|------|--------------|-----|------|----|-------|
| 497058030020 | 58  | 30   | 20 | 0,53 | 497145515030 | 145 | 51,5 | 30 | 6,33  |
| 497078030016 | 78  | 30   | 16 | 1,05 | 497150255030 | 150 | 25,5 | 30 | 3,35  |
| 497078030020 | 78  | 30   | 20 | 1,04 | 497150037030 | 150 | 37   | 30 | 4,87  |
| 497088035020 | 88  | 35   | 20 | 1,55 | 497160304030 | 160 | 30,4 | 30 | 4,56  |
| 497088035025 | 88  | 35   | 25 | 1,50 | 497160304040 | 160 | 30,4 | 40 | 4,43  |
| 497108034020 | 108 | 34   | 20 | 2,32 | 497160328030 | 160 | 32,8 | 30 | 4,79  |
| 497108034025 | 108 | 34   | 25 | 2,27 | 497160035040 | 160 | 35   | 40 | 5,09  |
| 497118050025 | 118 | 50   | 25 | 3,96 | 497160047030 | 160 | 47   | 30 | 7,09  |
| 497118050030 | 118 | 50   | 30 | 3,93 | 497160615030 | 160 | 61,5 | 30 | 9,27  |
| 497120197020 | 120 | 19,7 | 20 | 1,64 | 497168075030 | 168 | 75   | 30 | 12,55 |
| 497120197025 | 120 | 19,7 | 25 | 1,61 | 497178094040 | 178 | 94   | 40 | 17,30 |
| 497120255030 | 120 | 25,5 | 30 | 2,06 | 497180328030 | 180 | 32,8 | 30 | 6,27  |
| 497120338025 | 120 | 33,8 | 25 | 2,83 | 497180328040 | 180 | 32,8 | 40 | 6,13  |
| 497125328030 | 125 | 32,8 | 30 | 2,90 | 497180047030 | 180 | 47   | 30 | 9,00  |
| 497125042025 | 125 | 42   | 25 | 3,83 | 497180615040 | 180 | 61,5 | 40 | 11,60 |
| 497130203025 | 130 | 20,3 | 25 | 1,97 | 497200328040 | 200 | 32,8 | 40 | 7,67  |
| 497130203030 | 130 | 20,3 | 30 | 1,94 | 497200035040 | 200 | 35   | 40 | 8,17  |
| 497130223025 | 130 | 22,3 | 25 | 2,19 | 497200615040 | 200 | 61,5 | 40 | 14,43 |
| 497133515025 | 133 | 51,5 | 25 | 5,28 | 497218094040 | 218 | 94   | 40 | 26,38 |
| 497133515030 | 133 | 51,5 | 30 | 5,26 | 497220035040 | 220 | 35   | 40 | 9,95  |
| 497136304030 | 136 | 30,4 | 30 | 3,24 | 497220615040 | 220 | 61,5 | 40 | 17,60 |
| 497136032025 | 136 | 32   | 25 | 3,47 | 497238070040 | 238 | 70   | 40 | 23,57 |
| 497140204030 | 140 | 20,4 | 30 | 2,28 |              |     |      |    |       |
| 497140223025 | 140 | 22,3 | 25 | 2,55 |              |     |      |    |       |
| 497140255030 | 140 | 25,5 | 30 | 2,88 |              |     |      |    |       |
| 497145328030 | 145 | 32,8 | 30 | 4,00 |              |     |      |    |       |



## MOZZI SMONTABILI PER BUSSOLA CONICA DEMOUNTABLE HUBS FOR TAPER BUSHES

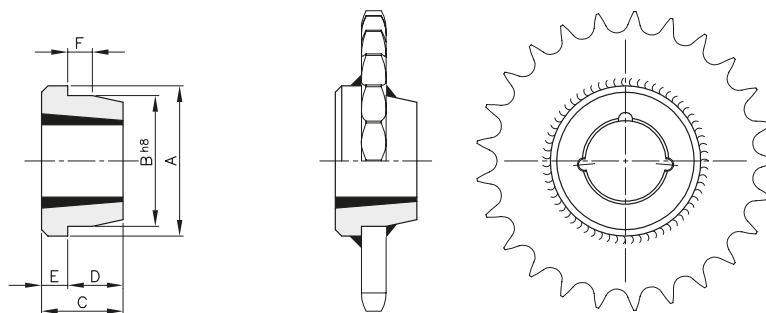


Materiale: Ghisa EN-GJL-200

| descrizione | codice    | bussola | foro MAX | A   | B   | C   | D   | E  | F    | G    | H   | d x n°viti | Kg.   |
|-------------|-----------|---------|----------|-----|-----|-----|-----|----|------|------|-----|------------|-------|
| MSM 120     | 495012000 | 1210    | 32       | 120 | 80  | 100 | 70  | 25 | 9,0  | 7,5  | 2,5 | 7,5 x 6    | 0,82  |
| MSM 130     | 495013000 | 1610    | 42       | 130 | 90  | 110 | 80  | 25 | 9,0  | 7,5  | 2,5 | 7,5 x 6    | 0,95  |
| MSM 145     | 495014500 | 2012    | 50       | 145 | 115 | 125 | 95  | 32 | 12,0 | 9,5  | 2,5 | 9,5 x 6    | 1,53  |
| MSM 185     | 495018500 | 2517    | 65       | 185 | 130 | 155 | 115 | 45 | 19,0 | 12,5 | 2,5 | 11,5 x 6   | 3,14  |
| MSM 220     | 495022000 | 3020    | 75       | 220 | 165 | 190 | 145 | 51 | 19,0 | 12,5 | 2,5 | 13,5 x 6   | 4,86  |
| MSM 180     | 495018000 | 1210    | 32       | 180 | 90  | 135 | 75  | 25 | 9,3  | 6,5  | 2,5 | 7,5 x 6    | 1,54  |
| MSM 200     | 495020000 | 1615    | 42       | 200 | 110 | 150 | 85  | 38 | 15,3 | 7,5  | 2,5 | 7,5 x 6    | 2,42  |
| MSM 270     | 495027000 | 2012    | 50       | 270 | 140 | 190 | 110 | 32 | 11,8 | 8,5  | 2,5 | 9,5 x 6    | 4,44  |
| MSM 340     | 495034000 | 2517    | 65       | 340 | 170 | 240 | 125 | 45 | 17,8 | 9,5  | 2,5 | 11,5 x 8   | 7,97  |
| MSM 430     | 495043000 | 3020    | 75       | 430 | 220 | 300 | 160 | 51 | 18,8 | 13,5 | 2,5 | 13,5 x 8   | 16,80 |
| MSM 485     | 495048500 | 3020    | 75       | 485 | 250 | 340 | 160 | 51 | 18,8 | 13,5 | 2,5 | 13,5 x 8   | 21,18 |



## MOZZI SALDABILI PER BUSSOLA CONICA WELD - ON HUBS FOR TAPER BUSHES



Materiale: Fe

| descrizione | codice    | bussola | foro MAX | A   | B   | C   | D  | E  | F  | Kg.   |
|-------------|-----------|---------|----------|-----|-----|-----|----|----|----|-------|
| MSC 1210    | 496121000 | 1210    | 32       | 73  | 60  | 25  | 16 | 9  | 10 | 0,31  |
| MSC 1215    | 496121500 | 1215    | 32       | 73  | 60  | 38  | 22 | 16 | 11 | 0,50  |
| MSC 1610    | 496161000 | 1610    | 42       | 83  | 70  | 25  | 16 | 9  | 10 | 0,37  |
| MSC 1615    | 496161500 | 1615    | 42       | 83  | 70  | 38  | 22 | 16 | 11 | 0,60  |
| MSC 2012    | 496201200 | 2012    | 50       | 96  | 90  | 32  | 22 | 10 | 12 | 0,72  |
| MSC 2517    | 496251700 | 2517    | 65       | 127 | 110 | 45  | 26 | 19 | 13 | 1,80  |
| MSC 3020    | 496302000 | 3020    | 75       | 152 | 130 | 51  | 27 | 24 | 18 | 2,59  |
| MSC 3030    | 496303000 | 3030    | 75       | 152 | 130 | 76  | 51 | 25 | 19 | 3,55  |
| MSC 3525    | 496352500 | 3525    | 90       | 184 | 155 | 65  | 40 | 25 | 25 | 4,83  |
| MSC 3535    | 496353500 | 3535    | 90       | 184 | 155 | 89  | 57 | 32 | 25 | 6,40  |
| MSC 4040    | 496404000 | 4040    | 100      | 225 | 195 | 102 | 70 | 32 | 35 | 13,22 |
| MSC 4545    | 496454500 | 4545    | 110      | 254 | 220 | 114 | 76 | 38 | 40 | 19,30 |
| MSC 5050    | 496505000 | 5050    | 125      | 276 | 242 | 127 | 89 | 38 | 40 | 24,52 |