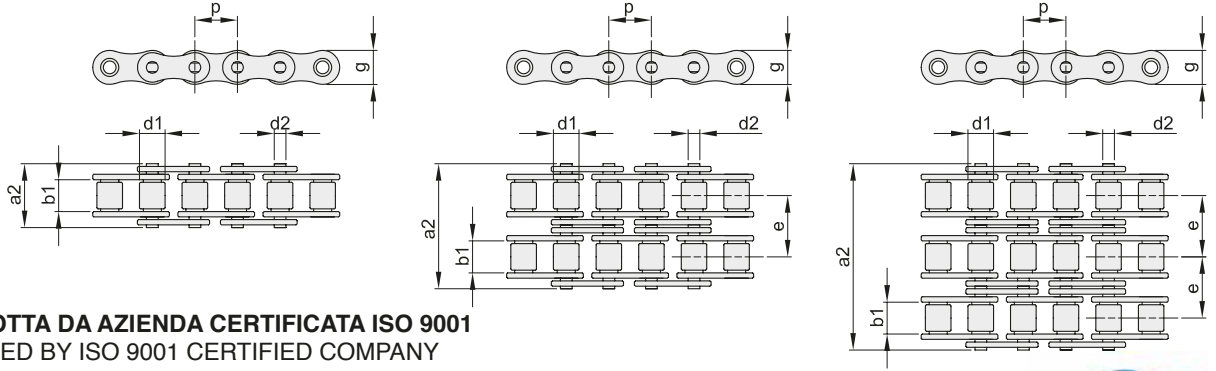




# CATENE A RULLI SERIE EUROPEA "SATURN" - DIN 8187 - ISO 606

## ROLLER CHAINS EUROPEAN STANDARD "SATURN" - DIN 8187 - ISO 606

Le catene a rulli serie europea "Saturn" possono operare a temperature da -10° a +150°



**CATENA PRODOTTA DA AZIENDA CERTIFICATA ISO 9001**  
CHAIN PRODUCED BY ISO 9001 CERTIFIED COMPANY

**CATENA PRESTIRATA / PRE-STRETCHED CHAINS**

**CONFEZIONI DA 5 MT - ROTOLI DA ▲ 50 MT - ROTOLI DA ■ 100 MT**



### SEMPLICE

ISO	codice	p		b <sub>1</sub> mm min.	d <sub>2</sub> mm	d <sub>1</sub> mm max.	a <sub>2</sub> mm max.	g mm max.	F <sub>B</sub> min KN	q kg/m ≈
		mm	inch							
03-1	700105000	5	-	2,50	1,49	3,20	7,4	4,10	2,2	0,08
04-1	700106000	6	-	2,80	1,85	4,00	7,4	5,00	3,0	0,12
05B-1	700108000	8	-	3,00	2,31	5,00	8,6	7,11	4,4	0,18
06B-1	700109000	9,525	3/8"	5,72	3,28	6,35	13,5	8,26	8,9	0,40
06B-1 ■	700109075	9,525	3/8"	5,72	3,28	6,35	13,5	8,26	8,9	0,40
081-1	700212000	12,7	1/2"	3,30	3,66	7,75	10,2	9,91	8,0	0,28
081-1 ■	700212150	12,7	1/2"	3,30	3,66	7,75	10,2	9,91	8,0	0,28
083-1	700511000	12,7	1/2"	4,88	4,09	7,75	12,9	10,30	11,6	0,42
084-1	700512000	12,7	1/2"	4,88	4,09	7,75	14,8	11,15	15,6	0,49
08B-1	700112000	12,7	1/2"	7,75	4,45	8,51	17,0	11,81	17,8	0,68
08B-1 ▲	700112050	12,7	1/2"	7,75	4,45	8,51	17,0	11,81	17,8	0,68
10B-1	700115000	15,875	5/8"	9,65	5,08	10,16	19,6	14,73	22,2	0,91
10B-1 ▲	700115050	15,875	5/8"	9,65	5,08	10,16	19,6	14,73	22,2	0,91
12B-1	700119000	19,05	3/4"	11,68	5,72	12,07	22,7	16,13	28,9	1,12
16B-1	700125000	25,4	1"	17,02	8,28	15,88	36,1	21,08	60,0	2,59
20B-1	700131000	31,75	1 1/4"	19,56	10,19	19,05	43,2	26,42	95,0	3,68
24B-1	700138000	38,1	1 1/2"	25,40	14,63	25,40	53,4	33,40	160,0	6,85
28B-1	700144000	44,45	1 3/4"	30,99	15,90	27,94	65,1	37,08	200,0	8,56
32B-1	700150000	50,8	2"	30,99	17,81	29,21	67,4	42,29	250,0	9,49
40B-1	700163000	63,5	2 1/2"	38,10	22,89	39,37	82,6	52,90	355,0	15,55
48B-1	700176000	76,2	3"	45,72	29,24	48,26	99,1	63,80	560,0	24,45

### DOPPIA

ISO	codice	p		b <sub>1</sub> mm min.	d <sub>2</sub> mm	d <sub>1</sub> mm max.	a <sub>2</sub> mm max.	g mm max.	e mm	F <sub>B</sub> min KN	q kg/m ≈
		mm	inch								
05B-2	700108200	8	-	3,00	2,31	5,00	14,3	7,11	5,64	7,8	0,32
06B-2	700109200	9,525	3/8"	5,72	3,28	6,35	23,8	8,26	10,24	16,9	0,76
08B-2	700112200	12,7	1/2"	7,75	4,45	8,51	31,0	11,81	13,92	31,1	1,31
10B-2	700115200	15,875	5/8"	9,65	5,08	10,16	36,2	14,73	16,59	44,5	1,79
12B-2	700119200	19,05	3/4"	11,68	5,72	12,07	42,2	16,13	19,46	57,8	2,50
16B-2	700125200	25,4	1"	17,02	8,28	15,88	68,0	21,08	31,88	106,0	5,03
20B-2	700131200	31,75	1 1/4"	19,56	10,19	19,05	79,7	26,42	36,45	170,0	7,33
24B-2	700138200	38,1	1 1/2"	25,40	14,63	25,40	101,8	33,40	48,36	280,0	13,50
28B-2	700144200	44,45	1 3/4"	30,99	15,90	27,94	124,7	37,08	59,56	360,0	16,96
32B-2	700150200	50,8	2"	30,99	17,81	29,21	126,0	42,99	58,55	450,0	18,74
40B-2	700163200	63,5	2 1/2"	38,10	22,89	39,37	154,0	52,90	72,29	630,0	30,72
48B-2	700176200	76,2	3"	45,72	29,24	48,26	190,0	63,80	91,21	1000,0	48,54

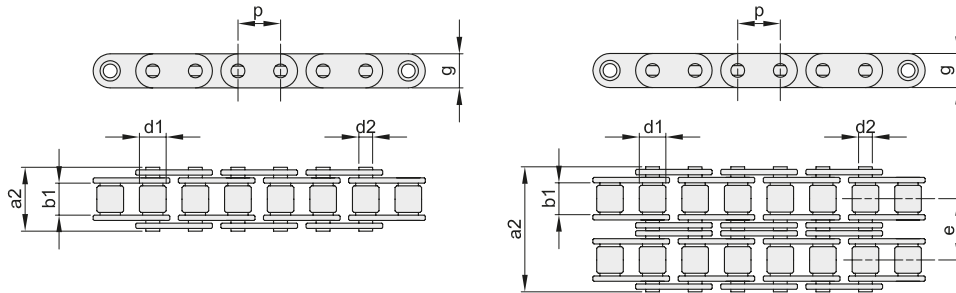
### TRIPLA

ISO	codice	p		b <sub>1</sub> mm min.	d <sub>2</sub> mm	d <sub>1</sub> mm max.	a <sub>2</sub> mm max.	g mm max.	e mm	F <sub>B</sub> min KN	q kg/m ≈
		mm	inch								
06B-3	700109300	9,525	3/8"	5,72	3,28	6,35	34,0	8,26	10,24	24,9	1,12
08B-3	700112300	12,7	1/2"	7,75	4,45	8,51	44,9	11,81	13,92	44,5	1,94
10B-3	700115300	15,875	5/8"	9,65	5,08	10,16	52,8	14,73	16,59	66,7	2,68
12B-3	700119300	19,05	3/4"	11,68	5,72	12,07	61,7	16,13	19,46	86,7	3,32
16B-3	700125300	25,4	1"	17,02	8,28	15,88	99,9	21,08	31,88	160,0	7,65
20B-3	700131300	31,75	1 1/4"	19,56	10,19	19,05	116,1	26,42	36,45	250,0	10,96
24B-3	700138300	38,1	1 1/2"	25,40	14,63	25,40	150,2	33,40	48,36	425,0	20,20
28B-3	700144300	44,45	1 3/4"	30,99	15,90	27,94	184,3	37,08	59,56	530,0	25,38
32B-3	700150300	50,8	2"	30,99	17,81	29,21	184,5	42,99	58,55	670,0	28,04
40B-3	700163300	63,5	2 1/2"	38,10	22,89	39,37	227,0	52,90	72,29	950,0	45,90
48B-3	700176300	76,2	3"	45,72	29,24	48,26	281,0	63,80	91,21	1500,0	72,50



# CATENE A RULLI CON PIASTRE A PROFILO DIRITTO "SATURN" - DIN 8187 - ISO 606

## ROLLER CHAINS WITH STRAIGHT PLATES "SATURN" - DIN 8187 - ISO 606



**CATENA PRODOTTA DA AZIENDA CERTIFICATA ISO 9001**  
CHAIN PRODUCED BY ISO 9001 CERTIFIED COMPANY

**CATENA PRESTIRATA / PRE-STRETCHED CHAINS**

**CONFEZIONI DA 5 MT**



### SEMPLICE

ISO	codice	p		b <sub>1</sub> mm min.	d <sub>2</sub> mm	d <sub>1</sub> mm max.	a <sub>2</sub> mm max.	g mm max.	F <sub>B</sub> min KN	q kg/m ≈
		mm	inch							
<b>08B-1</b>	701112000	12,7	1/2"	7,75	4,45	8,51	17,0	11,8	18,0	0,75
<b>10B-1</b>	701115000	15,875	5/8"	9,65	5,08	10,16	19,6	14,7	22,4	0,98
<b>12B-1</b>	701119000	19,05	3/4"	11,68	5,72	12,07	22,7	16,0	29,0	1,24
<b>16B-1</b>	701125000	25,4	1"	17,02	8,28	15,88	36,1	21,0	60,0	3,30

### DOPPIA

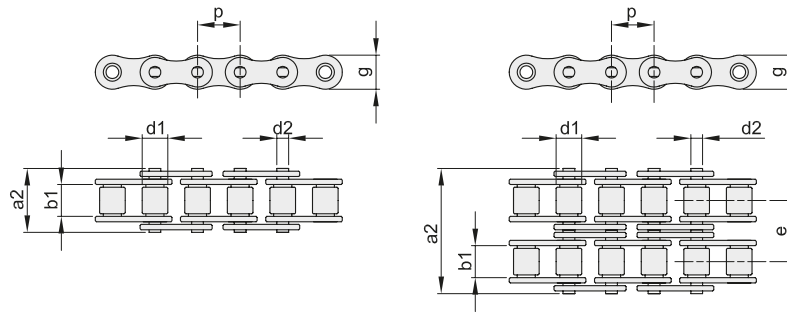
ISO	codice	p		b <sub>1</sub> mm min.	d <sub>2</sub> mm	d <sub>1</sub> mm max.	a <sub>2</sub> mm max.	g mm max.	e mm	F <sub>B</sub> min KN	q kg/m ≈
		mm	inch								
<b>10B-2</b>	701115200	15,875	5/8"	9,65	5,08	10,16	36,1	14,7	16,59	44,5	1,97
<b>12B-2</b>	701119200	19,05	3/4"	11,68	5,72	12,07	42,0	16,0	19,46	57,8	2,27
<b>16B-2</b>	701125200	25,4	1"	17,02	8,28	15,88	68,0	21,0	31,88	106,0	5,78



# CATENE A RULLI IN ACCIAIO "INOX AISI 304 - SATURN" - DIN 8187 - ISO 606

## ROLLER CHAINS IN 304 STAINLESS STEEL - "SATURN" - DIN 8187 - ISO 606

La catena INOX (AISI 304), costruita a rulli pieni, offre una particolare resistenza alla corrosione. Può essere utilizzata quindi in ambienti all'acqua, agli agenti chimici ed al calore. Opera a temperature da -20° a +400°.



**CATENA PRODOTTA DA AZIENDA CERTIFICATA ISO 9001**  
CHAIN PRODUCED BY ISO 9001 CERTIFIED COMPANY

**CATENA PRESTIRATA / PRE-STRETCHED CHAINS**



**CONFEZIONI DA 5 MT**

### SEMPLICE

ISO	codice	p		b <sub>1</sub> mm min.	d <sub>2</sub> mm	d <sub>1</sub> mm max.	a <sub>2</sub> mm max.	g mm max.	F <sub>B</sub> min KN	q kg/m ≈
		mm	inch							
<b>06B-1</b>	740109000	9,525	3/8"	5,72	3,28	6,35	13,5	8,26	6,6	0,40
<b>08B-1</b>	740112000	12,7	1/2"	7,75	4,45	8,51	17,0	11,81	12,0	0,68
<b>10B-1</b>	740115000	15,875	5/8"	9,65	5,08	10,16	19,6	14,73	15,0	0,91
<b>12B-1</b>	740119000	19,05	3/4"	11,68	5,72	12,07	22,7	16,13	17,0	1,12
<b>16B-1</b>	740125000	25,4	1"	17,02	8,28	15,88	36,1	21,08	40,0	2,59

### DOPPIA

ISO	codice	p		b <sub>1</sub> mm min.	d <sub>2</sub> mm	d <sub>1</sub> mm max.	a <sub>2</sub> mm max.	g mm max.	e mm	F <sub>B</sub> min KN	q kg/m ≈
		mm	inch								
<b>06B-2</b>	740109200	9,525	3/8"	5,72	3,28	6,35	23,8	8,26	10,24	10,5	0,76
<b>08B-2</b>	740112200	12,7	1/2"	7,75	4,45	8,51	31,0	11,81	13,92	22,0	1,31
<b>10B-2</b>	740115200	15,875	5/8"	9,65	5,08	10,16	36,2	14,73	16,59	28,4	1,79
<b>12B-2</b>	740119200	19,05	3/4"	11,68	5,72	12,07	42,2	16,13	19,46	33,3	2,22
<b>16B-2</b>	740125200	25,4	1"	17,02	8,28	15,88	68,0	21,08	31,88	74,4	5,03