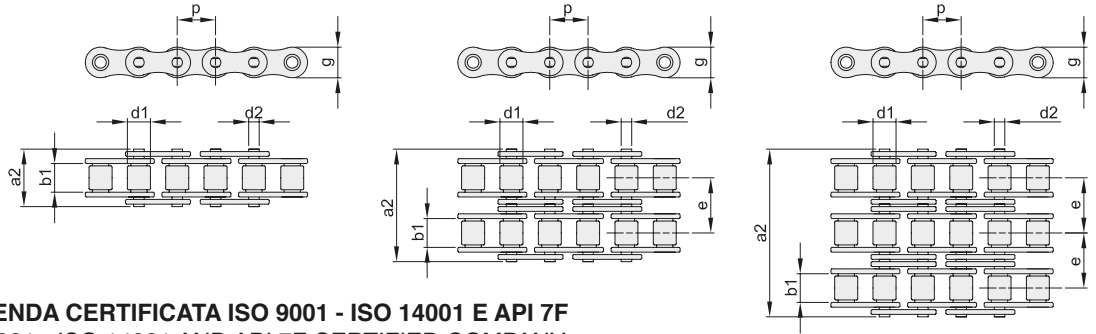




# CATENE A RULLI SERIE EUROPEA - DIN 8187 - ISO 606

## ROLLER CHAINS EUROPEAN STANDARD - DIN 8187 - ISO 606

Le catene a rulli serie europea possono operare a temperature da -10° a +150°



**CATENA PRODOTTA DA AZIENDA CERTIFICATA ISO 9001 - ISO 14001 E API 7F**  
CHAIN PRODUCED BY ISO 9001 - ISO 14001 AND API 7F CERTIFIED COMPANY

**CATENA PRESTIRATA / PRE-STRETCHED CHAINS**

**CONFEZIONI DA 5 MT - ROTOLI DA ▲ 50 MT - ROTOLI DA ■ 100 MT**



### SEMPLICE

ISO	codice	p		b <sub>1</sub> mm min.	d <sub>2</sub> mm	d <sub>1</sub> mm max.	a <sub>2</sub> mm max.	g mm max.	Carico di rottura		q kg/m ≈
		mm	inch						minimo KN	medio KN	
04-1	600106000	6	-	2,80	1,85	4,00	7,4	5,00	3,0	3,3	0,12
05B-1	600108000	8	-	3,00	2,31	5,00	8,6	7,11	5,0	5,9	0,18
06B-1	600109000	9,525	3/8"	5,72	3,28	6,35	13,5	8,26	9,0	10,7	0,40
06B-1 ■	600109075	9,525	3/8"	5,72	3,28	6,35	13,5	8,26	9,0	10,7	0,40
08B-1	600112000	12,7	1/2"	7,75	4,45	8,51	17,0	11,81	18,0	21,1	0,68
08B-1 ▲	600112050	12,7	1/2"	7,75	4,45	8,51	17,0	11,81	18,0	21,1	0,68
10B-1	600115000	15,875	5/8"	9,65	5,08	10,16	19,6	14,73	22,4	27,4	0,91
10B-1 ▲	600115050	15,875	5/8"	9,65	5,08	10,16	19,6	14,73	22,4	27,4	0,91
12B-1	600119000	19,05	3/4"	11,68	5,72	12,07	22,7	16,13	29,0	32,3	1,12
12B-1 ▲	600119050	19,05	3/4"	11,68	5,72	12,07	22,7	16,13	29,0	32,3	1,12
16B-1	600125000	25,4	1"	17,02	8,28	15,88	36,1	21,08	60,0	70,6	2,59
20B-1	600131000	31,75	1 1/4"	19,56	10,19	19,05	43,2	26,42	95,0	109,8	3,68
24B-1	600138000	38,1	1 1/2"	25,40	14,63	25,40	53,4	33,40	160,0	179,0	6,85
28B-1	600144000	44,45	1 3/4"	30,99	15,90	27,94	65,1	37,08	200,0	226,0	8,56
32B-1	600150000	50,8	2"	30,99	17,81	29,21	67,4	42,29	250,0	273,0	9,49
40B-1	600163000	63,5	2 1/2"	38,10	22,89	39,37	82,6	52,90	355,0	390,0	15,53

### DOPPIA

ISO	codice	p		b <sub>1</sub> mm min.	d <sub>2</sub> mm	d <sub>1</sub> mm max.	a <sub>2</sub> mm max.	g mm max.	e mm	Carico di rottura		q kg/m ≈
		mm	inch							minimo KN	medio KN	
05B-2	600108200	8	-	3,00	2,31	5,00	14,3	7,11	5,64	7,8	8,5	0,32
06B-2	600109200	9,525	3/8"	5,72	3,28	6,35	23,8	8,26	10,24	16,9	19,2	0,76
08B-2	600112200	12,7	1/2"	7,75	4,45	8,51	31,0	11,81	13,92	32,0	38,0	1,31
10B-2	600115200	15,875	5/8"	9,65	5,08	10,16	36,2	14,73	16,59	44,5	57,3	1,79
12B-2	600119200	19,05	3/4"	11,68	5,72	12,07	42,2	16,13	19,46	57,8	65,7	2,22
16B-2	600125200	25,4	1"	17,02	8,28	15,88	68,0	21,08	31,88	113,7	137,5	5,03
20B-2	600131200	31,75	1 1/4"	19,56	10,19	19,05	79,7	26,42	36,45	170,0	210,0	7,33
24B-2	600138200	38,1	1 1/2"	25,40	14,63	25,40	101,8	33,40	48,36	280,0	322,5	13,50
28B-2	600144200	44,45	1 3/4"	30,99	15,90	27,94	124,7	37,08	59,56	360,0	412,6	16,96
32B-2	600150200	50,8	2"	30,99	17,81	29,21	126,0	42,99	58,55	450,0	510,8	18,74
40B-2	600163200	63,5	2 1/2"	38,10	22,89	39,37	154,0	52,90	72,29	630,0	708,1	30,72

### TRIPLA

ISO	codice	p		b <sub>1</sub> mm min.	d <sub>2</sub> mm	d <sub>1</sub> mm max.	a <sub>2</sub> mm max.	g mm max.	e mm	Carico di rottura		q kg/m ≈
		mm	inch							minimo KN	medio KN	
06B-3	600109300	9,525	3/8"	5,72	3,28	6,35	34,0	8,26	10,24	24,9	27,7	1,12
08B-3	600112300	12,7	1/2"	7,75	4,45	8,51	44,9	11,81	13,92	47,5	56,0	1,94
10B-3	600115300	15,875	5/8"	9,65	5,08	10,16	52,8	14,73	16,59	66,7	83,3	2,68
12B-3	600119300	19,05	3/4"	11,68	5,72	12,07	61,7	16,13	19,46	86,7	101,5	3,32
16B-3	600125300	25,4	1"	17,02	8,28	15,88	99,9	21,08	31,88	160,0	202,8	7,65
20B-3	600131300	31,75	1 1/4"	19,56	10,19	19,05	116,1	26,42	36,45	250,0	306,5	10,96
24B-3	600138300	38,1	1 1/2"	25,40	14,63	25,40	150,2	33,40	48,36	425,0	490,6	20,20
28B-3	600144300	44,45	1 3/4"	30,99	15,90	27,94	184,3	37,08	59,56	530,0	625,9	25,38
32B-3	600150300	50,8	2"	30,99	17,81	29,21	184,5	42,99	58,55	670,0	775,0	28,04



# GIUNTI E FALSE PER CATENA "BEA" CONNECTING LINK AND OFFSET LINK FOR ROLLER CHAINS "BEA"



Descrizione ISO	p mm	SERIE EUROPEA GIUNTI		FALSE	
		tipo	codice	tipo	codice
04-1	6	1	610106026		
05B-1	8	1	610108026		
05B-2	8	1	610108226		
06B-1	9,525	4	610109026	3	610109059
06B-2	9,525	4	610109226	3	610109259
06B-3	9,525	4	610109326	3	610109359
08B-1	12,7	1	610112026	3	610112059
08B-2	12,7	1	610112226	3	610112259
08B-3	12,7	1	610112326	3	610112359
10B-1	15,875	1	610115026	3	610115059
10B-2	15,875	1	610115226	3	610115259
10B-3	15,875	1	610115326	3	610115359
12B-1	19,05	1	610119026	3	610119059
12B-2	19,05	1	610119226	3	610119259
12B-3	19,05	1	610119326	3	610119359
16B-1	25,4	1	610125026	3	610125059
16B-2	25,4	1	610125226	3	610125259
16B-3	25,4	1	610125326	3	610125359
20B-1	31,75	2	610131026	3	610131059
20B-2	31,75	2	610131226	3	610131259
20B-3	31,75	2	610131326	3	610131359
24B-1	38,1	2	610138026	3	610138059
24B-2	38,1	2	610138226	3	610138259
24B-3	38,1	2	610138326	3	610138359
28B-1	44,45	2	610144026	3	610144059
28B-2	44,45	2	610144226	3	610144259
28B-3	44,45	2	610144326	3	610144359
32B-1	50,8	2	610150026	3	610150059
32B-2	50,8	2	610150226	3	610150259
32B-3	50,8	2	610150326	3	610150359
40B-1	63,5	2	610163026	3	610163059
40B-2	63,5	2	610163226	3	610163259

Descrizione ANSI	p mm	SERIE AMERICANA GIUNTI		FALSE	
		tipo	codice	tipo	codice
35-1	9,525	1	630035026	3	630035059
35-2	9,525	1	630035226	3	630035259
* 35-3	9,525	1	630035326	3	630035359
40-1	12,7	1	630040026	3	630040059
40-2	12,7	1	630040226	3	630040259
* 40-3	12,7	1	630040326	3	630040359
50-1	15,875	1	630050026	3	630050059
50-2	15,875	1	630050226	3	630050259
* 50-3	15,875	1	630050326	3	630050359
60-1	19,05	1	630060026	3	630060059
60-2	19,05	1	630060226	3	630060259
* 60-3	19,05	1	630060326	3	630060359
80-1	25,4	1	630080026	3	630080059
80-2	25,4	1	630080226	3	630080259
* 80-3	25,4	1	630080326	3	630080359
100-1	31,75	2	630100026	3	630100059
100-2	31,75	2	630100226	3	630100259
* 100-3	31,75	2	630100326	3	630100359
120-1	38,15	2	630120026	3	630120059
120-2	38,15	2	630120226	3	630120259
* 120-3	38,15	2	630120326	3	630120359
140-1	44,45	2	630140026	3	630140059
140-2	44,45	2	630140226	3	630140259
* 140-3	44,45	2	630140326	3	630140359
160-1	50,8	2	630160026	3	630160059
160-2	50,8	2	630160226	3	630160259
* 160-3	50,8	2	630160326	3	630160359
60-1H	19,05	1	631060026	3	631060059
80-1H	25,4	1	631080026	3	631080059
100-1H	31,75	2	631100026	3	631100059

\* Costruiti a richiesta - manufactured on request.